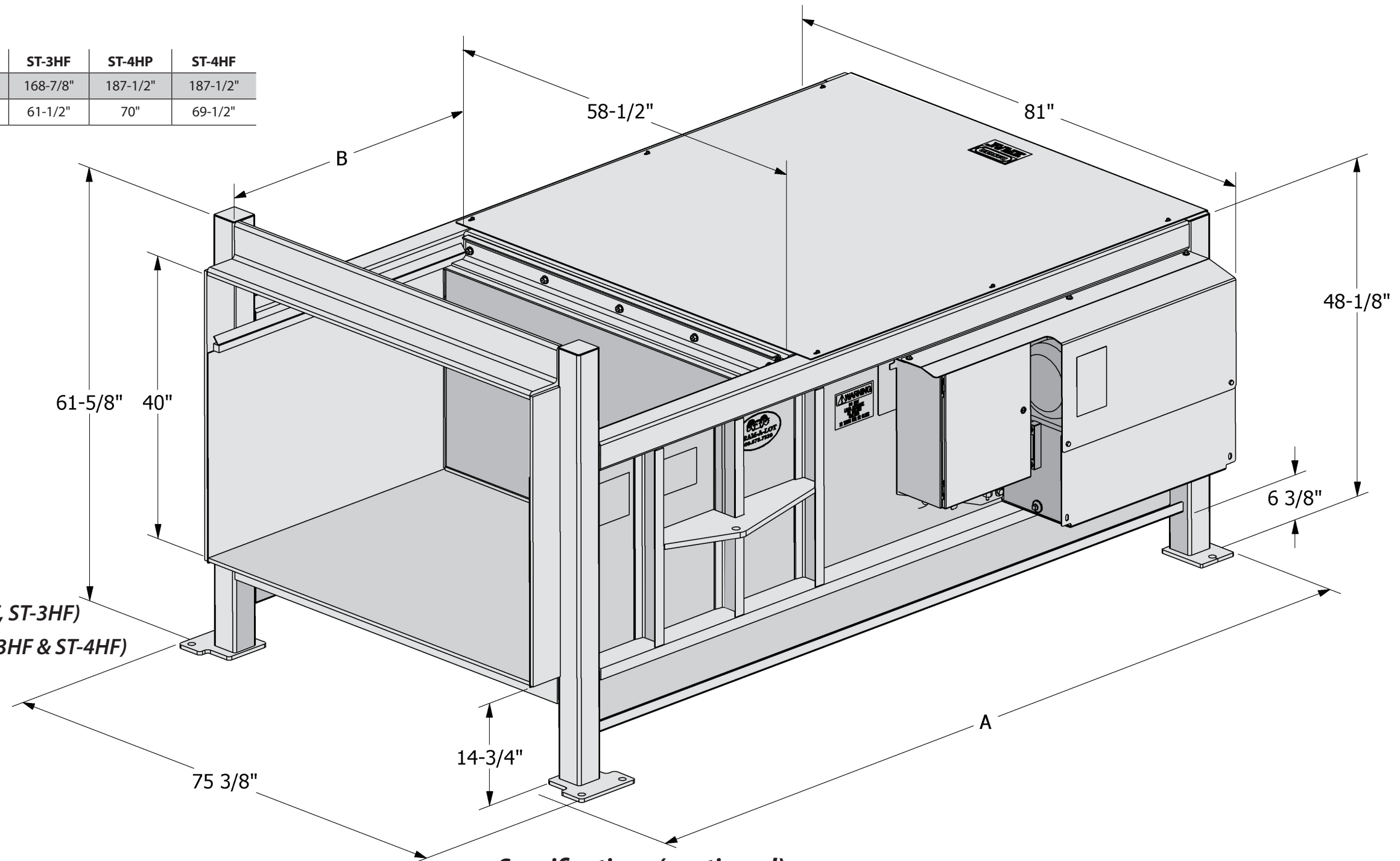


Dimensions

	ST-2S	ST-2HP	ST-2HF	ST-3S	ST-3HF	ST-4HP	ST-4HF
Overall Length (A)	122-1/8"	122-1/8"	122-1/8"	168-7/8"	168-7/8"	187-1/2"	187-1/2"
Clear Top Length (B)	40"	40"	39-1/2"	62"	61-1/2"	70"	69-1/2"



- Fastest Cycle Time in Class* (Models ST-2HP, ST-2HF, ST-3HF)
- Highest Normal Force in Class* (Models ST-2HF, ST-3HF & ST-4HF)
- 48 1/8" Deck height on all models
- All cylinders made in USA

Specifications

		ST-2S	ST-2HP	ST-2HF	ST-3S	ST-3HF	ST-4HP	ST-4HF
Charge Capacity		2 cu yd	2 cu yd	2 cu yd	3 cu yd	3 cu yd	4 cu yd	4 cu yd
NWRA Rated Size		1.53 cu yd	1.53 cu yd	1.53 cu yd	2.35 cu yd	2.35 cu yd	2.65 cu yd	2.65 cu yd
Normal Cycle Time	Standard	63 sec	33 sec	33 sec	53 sec	46 sec	39.sec	52 sec
Total Force	Normal	59,400 lb	59,400 lb	77,000 lb	59,400 lb	77,000 lb	56,500 lb	77,000 lb
	Maximum	67,900 lb	67,900 lb	92,400 lb	67,900 lb	92,400 lb	67,500 lb	92,400 lb
Ram Face Pressure	Normal	34.1 psi	34.1 psi	44.3 psi	34.1 psi	44.3 psi	32.5 psi	44.3 psi
	Maximum	39 psi	39 psi	53.1 psi	39 psi	53.1 psi	39.0 psi	53.1 psi
Ram Face Dimensions	(W x H)	60" x 29"	60" x 29"	60" x 29"	60" x 29"	60" x 29"	60" x 29"	60" x 29"
Ram Penetration		13"	13"	13"	13"	13"	15"	15"

Specifications (continued)

		ST-2S	ST-2HP	ST-2HF	ST-3S	ST-3HF	ST-4HP	ST-4HF
Motor - 3 Phase	208/230/460 VAC	10 hp	15 hp	15 hp	10 hp	15 hp	15 hp	15 hp
Pump Capacity	Standard	10.5 gpm	12 gpm w/regen	16.5 gmp w/regen	10.5 gpm w/regen	16.5 gmp w/regen	16.5 gmp w/regen	16.5 gmp w/regen
Hydraulic Reservoir	Capacity	20 gal	30 gal	30 gal	30 gal	30 gal	30 gal	30 gal
Hydraulic Cylinder	Bore Diameter	6"	6"	7"	6"	7"	6"	7"
	Stroke	54"	54"	54"	76"	76"	86"	86"
	Rod Diameter	3.5"	3.5"	4"	3.5"	4"	4"	4"
Operation Pressure	Normal	2100 psi	2100 psi	2000 psi	2100 psi	2000 psi	2000 psi	2000 psi
	Maximum	2400 psi	2400 psi	2400 psi	2400 psi	2400 psi	2400 psi	2400 psi
Complete Unit UL Listed		yes	yes	yes	yes	yes	yes	yes